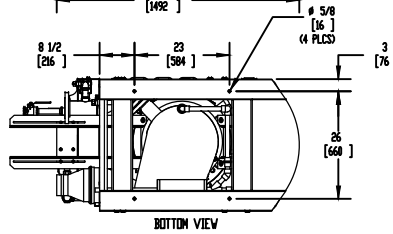
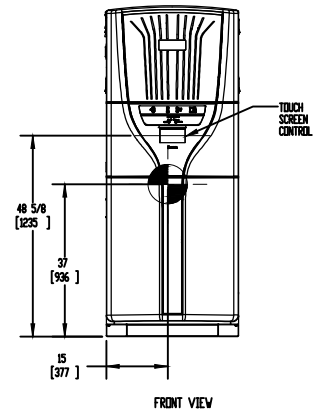
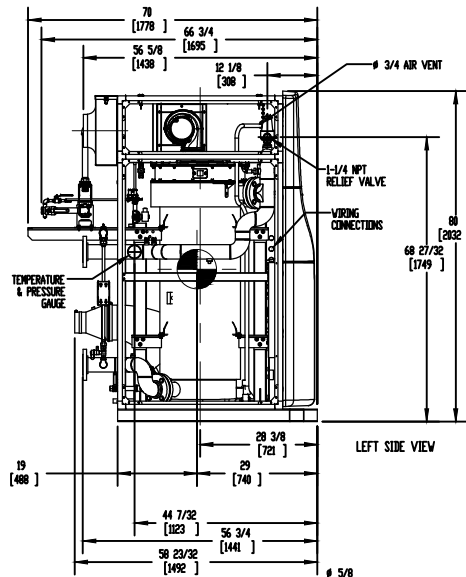
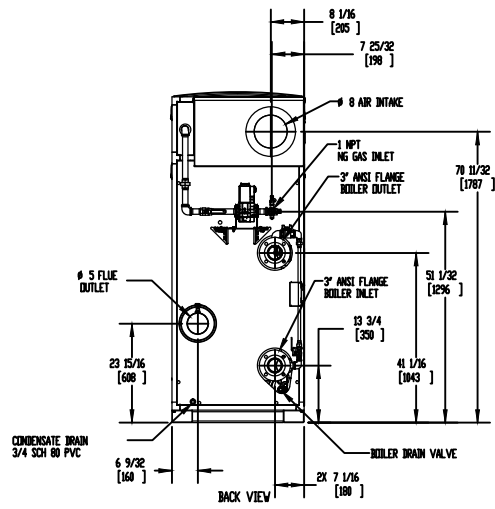


TOP VIEW



- NOTES:
1. \oplus SYMBOL INDICATES CENTER OF GRAVITY.
 2. DIMENSIONS ARE NOMINAL AND SUBJECT TO MANUFACTURING VARIATION AND SHOULD NOT BE USED FOR "ROUGHING IN".
 3. ALL DIMENSIONS ARE INCHES (mm).